

ST630(P)



Display size  
**10"- 29"**



Max load  
**80lb (36kg)**

**SMARTMOUNT**

# Tilt Wall Mount

FOR 10" TO 29" DISPLAYS

The SmartMount® Tilt Wall Mount series offers the most versatile installation features and mounting options. Quickly and easily adjust the viewing angle without the use of tools. Security screws provided in the ST630 model deter tampering and theft. The display can now simply be installed by a single person with the Hook-and-Hang™ system. The Easy-Glide™ adaptors hook onto the wall plate for an overall quick, simple, and secure installation.

*The ST630's adjustable viewing feature provides 15° of forward tilt and 5° backward tilt, creating the most optimal viewing angle.*



## Additional Features

- ✓ Adjustable 15° forward tilt and -5° backward tilt for finding the optimal viewing angle
- ✓ Tilt angle locks into place with simple tightening of thumbscrew
- ✓ Display is positioned only 1.58" (40mm) from wall for a low-profile application
- ✓ Display adaptor simply slides into the wall plate for quick and easy installation
- ✓ Mount accommodates displays with VESA® 75 and 100mm hole patterns
- ✓ Includes all necessary wall and display attachment hardware
- ✓ Integrated security options available
- ✓ Design is UL listed and tested to four times stated load capacity

### HOOK-AND-HANG™ INSTALLATION

Display is easily installed by a single person



### VESA® COMPATIBLE

Accommodates 75 and 100mm mounting patterns

### TOOL-LESS TILT

Quickly adjust your viewing angle without tools

### FLEXIBLE MOUNTING LOCATIONS

Mounts to wood stud, concrete, cinder or breeze block

\* Requires display to be removed and reset on mount



Please visit [peerless-av.com/en-us/patents](http://peerless-av.com/en-us/patents) for patent information.



+15°/-5° of tilt for versatile viewing angles



Comes in color packaging with included installation hardware and easy to follow instructions.

info@peerless-av.com  
peerless-av.com

**peerless-AV**®

<b>ST630P</b>	SmartMount® Tilt Wall Mount for 10" to 29" Displays - standard models
<b>ST630</b>	SmartMount® Tilt Wall Mount for 10" to 29" Displays - security models

**Product Specifications**

	DIMENSIONS (W x H x D)	PRODUCT WEIGHT	LOAD CAPACITY	FINISH	AVAILABLE COLORS
<b>ST630(P)</b>	6.61" x 6.20" x 1.58"-2.23" (168 x 157 x 40-57mm)	2.20lb (1.00kg)	80lb (36kg)	Scratch resistant fused epoxy	Semi-gloss black

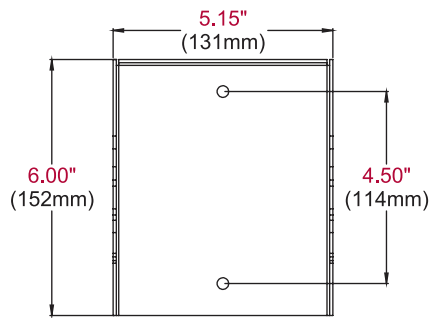
**Package Specifications**

	PACKAGE SIZE (W x H x D)	PACKAGE SHIP WEIGHT	PACKAGE UPC CODE	PACKAGE CONTENTS	UNITS IN PACKAGE
<b>ST630(P)</b>	9.38" x 2.90" x 8.25" (238 x 74 x 210mm)	2.8lb (1.3kg)	ST630: 735029236627 ST630P: 735029236641	Wall mount, wall and display installation hardware, installation instructions	1

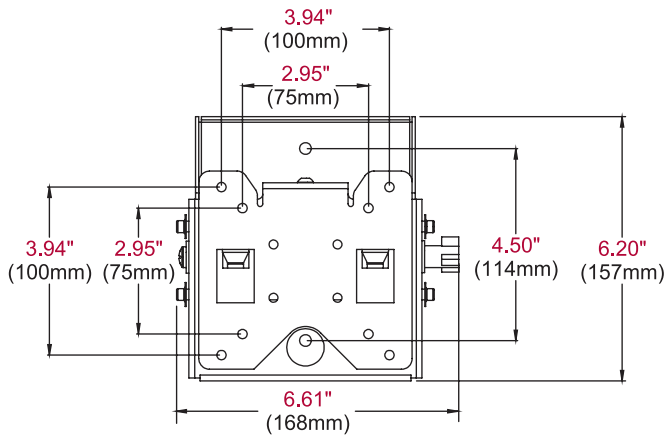
**Accessories**

**ACC215:** Metal Stud Fastener Kit

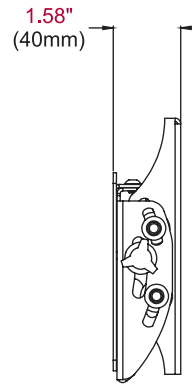
All dimensions = **inch** (mm)



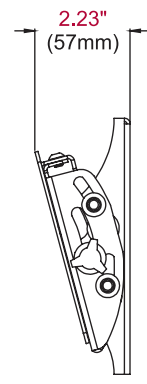
**WALL PLATE**



**FRONT VIEW**



**SIDE VIEW**



**+15°/-5° TILT SIDE VIEW**

**Architect Specifications**

The Smartmount® Tilt Wall Mount shall be a Peerless-AV model ST630(P) and shall be located where indicated on the plans. Assembly and installation shall be done according to instructions provided by the manufacturer.

Visit [peerless-av.com](http://peerless-av.com) to see the complete line of AV solutions from Peerless-AV, including outdoor displays, wireless, kiosks, digital audio, display mounts, projector mounts, carts/stands, and a full assortment of accessories.

**Peerless-AV**  
2300 White Oak Circle  
Aurora, IL 60502 USA  
**(800) 865-2112**  
**(630) 375-5100**  
**Fax: (800) 359-6500**

**Peerless-AV Europe**  
Unit 3 Watford Interchange  
Colonial Way, Watford  
Herts, WD24 4WP  
United Kingdom  
**+44 (0) 1923 200100**  
**Fax: +44 (0) 1923 200101**

**Peerless-AV de México**  
Ave de las Industrias 413  
Parque Industrial Escobedo  
Escobedo, N.L.,  
Mexico 66050  
**+52 (81) 8384-8300**  
**Fax: +52 (81) 8384-8360**

